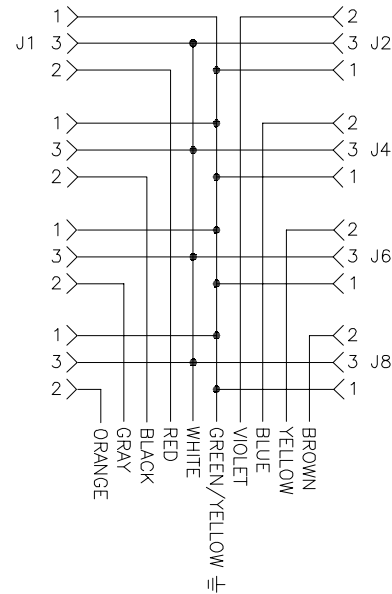


SPECIFICATIONS	
CABLE JACKET/COLOR	PVC/BLACK
CONDUCTOR INSULATION MATERIAL	PVC
NUMBER OF CONDUCTORS [AWG]	10x18 AWG
DRAIN/SHIELD	20 AWG/ALUM.-POLYESTER FOIL
HOUSING MATERIAL	ALUMINUM ALLOY
HOUSING FINISH/COLOR	EPOXY/BLACK
CONTACT CARRIERS	TPU
CONTACTS	BRASS/GOLD
OPERATING VOLTAGE	250 VAC / 300 VDC
OPERATING CURRENT	4 A PER PORT, 9.0 A TOTAL
PROTECTION CLASS	MEETS NEMA 1,3,4,6P,12, IEC IP67,IP68,IP69,IP69K
OPERATING TEMPERATURE	-40°C to 105°C (-40°F to 221°F)



FEMALE END VIEW J1-J8	
1 = GROUND 2 = LOAD (L2) 3 = COMMON (L1)	
FUNCTION	OUTPUT WIRE COLOR
COMMON (L1)	WHITE
GROUND	GREEN/YELLOW
J1(L2)	RED
J2(L2)	VIOLET
J3(L2)	BLACK
J4(L2)	BLUE
J5(L2)	GRAY
J6(L2)	YELLOW
J7(L2)	ORANGE
J8(L2)	BROWN

CABLE LENGTH	TOLERANCE*
ALL LENGTHS	+ 4% (OR 50mm) OF LENGTH - 0% (OR 0mm) OF LENGTH WHICHEVER IS GREATER
STRIP LENGTH	TOLERANCE*
0-7mm	±0.5mm
8-29mm	±1.0mm
30-49mm	±2.0mm
50-69mm	±3.0mm
70-100mm	±4.0mm
OVER 100mm	±5.0mm

* UNLESS OTHERWISE SPECIFIED

SOURCE DRAWING - FOR REFERENCE ONLY

NOTES:

- "*" DESIGNATES CABLE LENGTH IN METERS.
- BOX HEIGHT IS 1.36 [34.5] NOMINAL.
- CLEARANCE HOLE FOR M4 [#8] MOUNTING SCREWS (2 NOT INCLUDED).

RELATED DOCUMENTS		3RD ANGLE PROJECTION		THIS DRAWING IS CONFIDENTIAL AND THE PROPERTY OF TURCK INC. USE OF THIS DOCUMENT WITHOUT WRITTEN PERMISSION IS PROHIBITED.		3000 CAMPUS DRIVE MINNEAPOLIS, MN 55441 1-800-544-7769 (763) 553-7300 (763) 553-0708 fax www.turck.us	
1. 2. 3. 4.				TURCK		DRFT RWC DATE 07/09/07 APVD SCALE 1=2.0 DESCRIPTION 8 RXF 30-*M	
MATERIAL		UNIT OF MEASUREMENT		IDENTIFICATION NO.		REV	
FINISH		MILMETER [TURCK]		8 RXF 30-*M		G	
G UPDATE DISTANCE BETWEEN MOUNTING HOLES		RDS 09/02/21		77001		DO NOT SCALE THIS DRAWING	
REV DESCRIPTION		BY DATE		ECO NO.		FILE: 777001288 SHEET 1 OF 1	

G	UPDATE DISTANCE BETWEEN MOUNTING HOLES	RDS	09/02/21	77001
REV	DESCRIPTION	BY	DATE	ECO NO.